

ECP Series Explosionproof Enclosures
for OEM Applications

CROUSE-HINDS
SERIES

A photograph of an industrial facility, likely an oil or gas processing plant. The scene is dominated by a large, multi-level structure with blue metal siding and yellow safety railings. In the center, a tall, orange cylindrical tank stands on a platform. To the right, a white-roofed structure houses a large orange explosionproof enclosure. The background shows a clear blue sky and other industrial equipment. The overall lighting is bright, suggesting a sunny day.

Optimized design,
extensive sizes, and fast lead times.

EATON

Powering Business Worldwide



ECP Series
Explosionproof Enclosures,
the latest addition to our portfolio of
electrical products for OEMs.

ECP Series Explosionproof Enclosures

Featuring an optimized design and fast lead times for OEMs, ECP enclosures are available in 40 standard sizes with optional conduit and device drilling and tapping.

Certifications:

NEC, CEC and CSA:

- Class I, Division 1 & 2, Groups B, C, D
- Class II, Division 1 & 2, Groups E, F, G
- Class III
- UL Standard 1203
- cUL to CSA C22.2 No. 30, No. 25
- NEMA Type 3, 3R, 4, 7BCD, 9EFG
- Enclosure Type 4X (requires selecting 4X option)

IECEX:

- Ex db IIB+H2 Gb
- Ex tb III C Db IP66
- $-20^{\circ}\text{C} \leq \text{Ta} \leq +60^{\circ}\text{C}$
- IECEX ETL 13.0022U

ATEX:

- II 2 G D Ex db IIB+H2 Gb
- Ex tb IIIC Db IP66
- $-20^{\circ}\text{C} \leq \text{Ta} \leq +60^{\circ}\text{C}$
- ITS13ATEX17813U certified

Standard Materials:

- Body and cover - Copper free aluminum
- Gasket - Neoprene
- Cover bolts - Steel
- Hinges - Aluminum

Options (add to end of catalog number):

- ATEX - ATEX certified
- PLT[†] - Flat aluminum plate cover
- MP - Aluminum mounting plate installed
- S391 - NEMA 4X certification with stainless steel cover bolts and hinges
- S598* - Factory supplied hinges on left side
- S598B** - Factory supplied hinges on top side
- S598C** - Factory supplied hinges on right side
- S598D** - Factory supplied hinges on bottom side
- S752 - Epoxy powder coat finish on exterior only
- S753 - Epoxy powder coat finish on interior and exterior
- S756V - Breather and drain
- 4X - Type 4X certification, with stainless steel cover bolts, hinges, and external epoxy powder coat

[†] Available for sizes 12x12 and larger

* S598 option available for enclosure sizes 081006 thru 101406 only. Hinges are not available on enclosure sizes 040604 thru 080806, and aluminum hinges are standard on 121204 enclosures and larger.

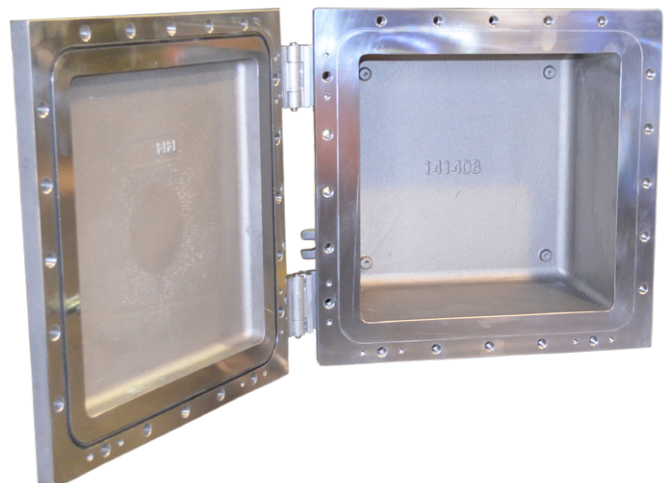
** Only applicable for ECP sizes 081006 thru 243610



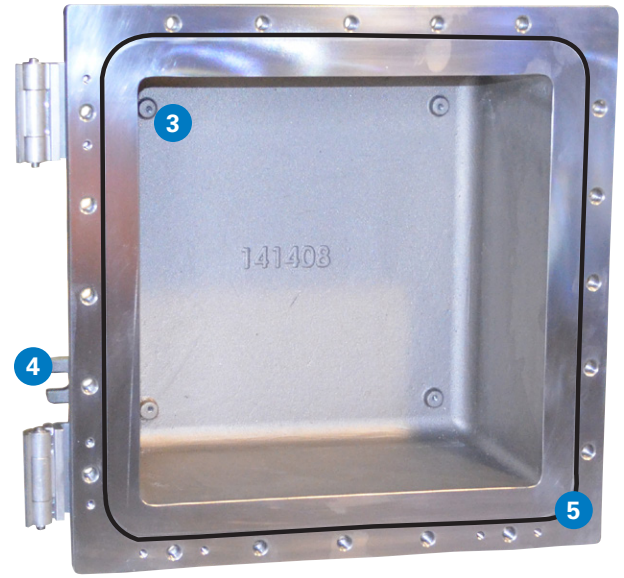
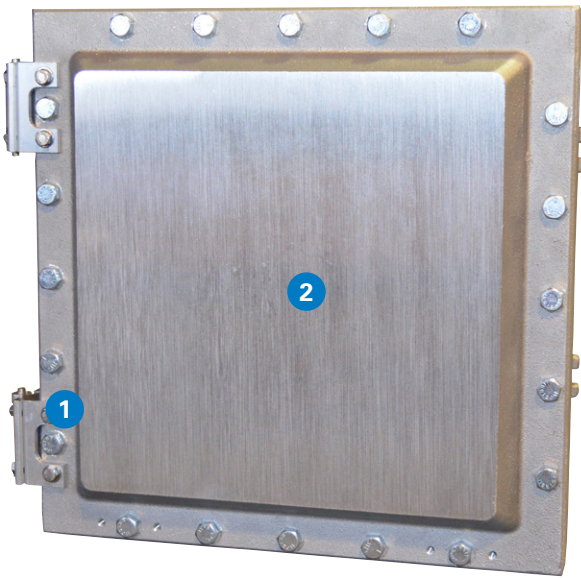
Cover Devices:

- Pilot Lights
- Push Buttons
- Selector Switches
- Circuit Breaker Handles
- PLT Cover Allows for Window

For selection and placement of cover devices, use our online configurator at www.crouse-hinds.com/configure. Or, contact our modified products team at SYR-ETO-RFQ@eaton.com



ECP Features and Benefits



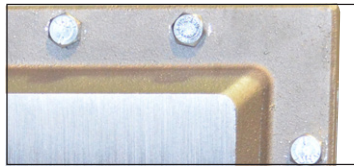
1 Standard Aluminum Hinge

- Aluminum hinges standard on sizes 121204 and larger, and available on sizes 081006 through 101406 by adding S598.
- Stainless cover bolts and hinges are available by adding S391.



2 Stroke-sanded Finish

- Stroke-sanding creates smooth surface for installation of push button / pilot light operators.
- Type 4X available - see options on previous page



3 Standard Internal Mounting Pads

- Factory drilled and tapped, internal mounting pads enable the installer to add a mounting plate in the field.
- Standard on all sizes.



4 Replaceable Mounting Feet

- Bolt on (style D enclosures) and Tap-in (style C enclosures) mounting feet can be easily replaced in the field if damaged



5 Standard Neoprene Gasket

- Comes standard in all sizes.
- Provides NEMA 4 rating for enclosure.



Entries Up To 3" In Diameter

- Factory-machined, drilled and tapped entries up to 3" in diameter.
- UL / cUL certified for field addition of drilled and tapped entries on sides, top, bottom, or back of the enclosure.



Optional Aluminum Plate Cover

- Provides greater surface area for installation of push button / pilot light operators.
- Allows for installation of windows in plate cover.
- Strong, durable, non-porous material.

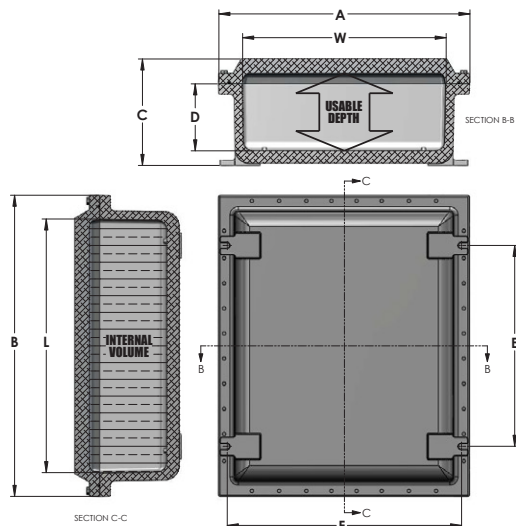


Enclosure Ordering Information and Dimensions

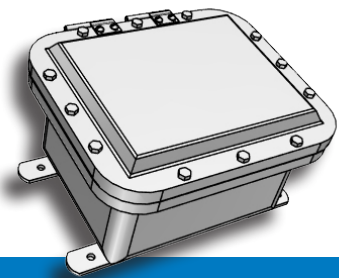
Catalog Number	Cover Style	Mounting Feet	Inside Nominal Dimensions				Overall Dimensions			Mounting		Weight [LB]	Weight [KG]	Mounting Plate**
			W	L	D	Usable Depth*	A	B	C	E	F			
ECP040604	D - Rounded	Bolt-on	04	06	04	4-5/8	8-11/32	10-11/32	6-1/8	5	7-1/2	16	7	MP0406
ECP041604	D - Rounded	Bolt-on	04	16	04	4-5/8	8-1/2	20-1/2	6-5/32	15	7-1/8	33	15	MP0416
ECP060804	D - Rounded	Bolt-on	06	08	04	4-5/8	10-15/32	12-15/32	6-3/16	7	9-1/8	24	11	MP0608
ECP060806	D - Rounded	Bolt-on	06	08	06	6-5/8	10-15/32	12-15/32	8-3/16	7	9-1/8	32	15	MP0608
ECP061204	D - Rounded	Bolt-on	06	12	04	4-5/8	10-1/2	16-1/2	6-3/16	11	9-1/8	32	15	MP0612
ECP080806	D - Rounded	Bolt-on	08	08	06	6-5/8	12-15/32	12-15/32	8-7/32	7	11-1/8	37	17	MP0808
ECP081006	D - Rounded	Bolt-on	08	10	06	6-3/4	12-21/32	14-21/32	8-9/16	9	11-1/8	45	20	MP0810
ECP081204	D - Rounded	Bolt-on	08	12	04	4-5/8	12-1/2	16-1/2	6-3/8	11	11-1/8	39	18	MP0812
ECP081206	D - Rounded	Bolt-on	08	12	06	6-3/4	12-21/32	16-1/2	8-9/16	11	11-1/8	53	24	MP0812
ECP081208	D - Rounded	Bolt-on	08	12	08	8-5/8	12-1/2	16-1/2	10-3/8	11	11-1/8	56	25	MP0812
ECP101006	D - Rounded	Bolt-on	10	10	06	6-5/8	14-21/32	14-21/32	8-9/16	9	13-1/8	52	24	MP1010
ECP101008	D - Rounded	Bolt-on	10	10	08	8-5/8	14-21/32	14-21/32	10-3/8	9	13-1/8	59	27	MP1010
ECP101406	D - Rounded	Bolt-on	10	14	06	6-5/8	14-21/32	18-21/32	8-15/32	13	13-1/8	66	30	MP1014
ECP121204	C - Square	Tap-in	12	12	04	4-63/64	16-57/64	16-57/64	7-3/16	7	14-15/16	62	28	MP1212
ECP121206	C - Square	Tap-in	12	12	06	7	16-27/32	16-27/32	9-1/8	7	15-5/16	68	31	MP1212
ECP121208	C - Square	Tap-in	12	12	08	9	16-27/32	16-27/32	11-1/8	7	15-5/16	74	34	MP1212
ECP121806	C - Square	Tap-in	12	18	06	6-25/32	17-1/8	23-1/8	8-31/32	12	14-15/16	102	46	MP1218
ECP121808	C - Square	Tap-in	12	18	08	8-25/32	17-1/8	23-1/8	11-1/8	12	14-15/16	110	50	MP1218
ECP122408	C - Square	Tap-in	12	24	08	8-15/16	17-1/4	29-1/4	11-5/8	18	14-15/16	149	68	MP1224
ECP122410	C - Square	Tap-in	12	24	10	10-15/16	17-1/4	29-1/4	13-5/8	18	14-15/16	158	72	MP1224
ECP123608	C - Square	Tap-in	12	36	08	8-15/16	17	41-3/64	11-59/64	30	14-15/16	247	112	MP1236
ECP141406	C - Square	Tap-in	14	14	06	7	18-7/8	18-7/8	9-3/8	9	17-5/16	93	42	MP1414
ECP141408	C - Square	Tap-in	14	14	08	9	18-7/8	18-7/8	11-3/8	9	17-5/16	101	46	MP1414
ECP141410	C - Square	Tap-in	14	14	10	11	18-7/8	18-7/8	13-3/8	9	17-5/16	108	49	MP1414
ECP161606	C - Square	Tap-in	16	16	06	7-9/16	20-61/64	20-61/64	9-51/64	10	18-15/16	117	53	MP1616
ECP161608	C - Square	Tap-in	16	16	08	9-9/16	20-61/64	20-61/64	11-51/64	10	18-15/16	125	57	MP1616
ECP162408	C - Square	Tap-in	16	24	08	9-3/8	20-7/8	28-7/8	12-11/16	18	20	195	89	MP1624
ECP181806	C - Square	Tap-in	18	18	06	7-3/8	22-7/8	22-7/8	10-7/16	12	21-9/16	153	70	MP1818
ECP181808	C - Square	Tap-in	18	18	08	9-1/4	22-7/8	22-7/8	12-7/16	12	21-9/16	164	74	MP1818
ECP181810	C - Square	Tap-in	18	18	10	10-15/16	22-7/8	22-7/8	14-7/16	12	21-9/16	175	79	MP1818
ECP182408	C - Square	Tap-in	18	24	08	9-7/16	23-13/32	29-13/32	12-5/16	18	22-3/8	223	101	MP1824
ECP182410	C - Square	Tap-in	18	24	10	11-7/16	23-13/32	29-13/32	14-5/16	18	22-3/8	235	107	MP1824
ECP183008	C - Square	Tap-in	18	30	08	9-3/8	24	36	12-5/8	24	22	304	138	MP1830
ECP183608	C - Square	Tap-in	18	36	08	9-11/32	23-21/32	41-21/32	12-39/64	30	22-3/8	355	161	MP1836
ECP183610	C - Square	Tap-in	18	36	10	11-21/64	23-21/32	41-21/32	14-57/64	30	22-3/8	376	171	MP1836
ECP242408	C - Square	Tap-in	24	24	08	9-7/16	29-21/64	29-21/64	12-17/32	18	28-3/8	279	127	MP2424
ECP242410	C - Square	Tap-in	24	24	10	11-7/16	29-21/64	29-21/64	14-17/32	18	28-3/8	301	137	MP2424
ECP243008	C - Square	Tap-in	24	30	08	9-1/4	30	36	13-1/8	24	28	428	194	MP2430
ECP243608	C - Square	Tap-in	24	36	08	9-1/4	29-15/16	41-15/16	13-1/4	30	29-1/2	481	218	MP2436
ECP243610	C - Square	Tap-in	24	36	10	11-1/4	29-55/64	41-55/64	15-1/8	30	29	533	242	MP2436

* Usable depth is reduced by 1/2" when adding a mounting plate.

** Mounting plates may be ordered separately using the catalog numbers in this table



ECP Series Enclosures are furnished with or without drilled and tapped openings. Drilling and tapping of conduit openings and device openings in the cover and body are subject to the limitations of maximum size and number of openings as well as spacings. All machining must be done prior to installation.



3D Models Available!

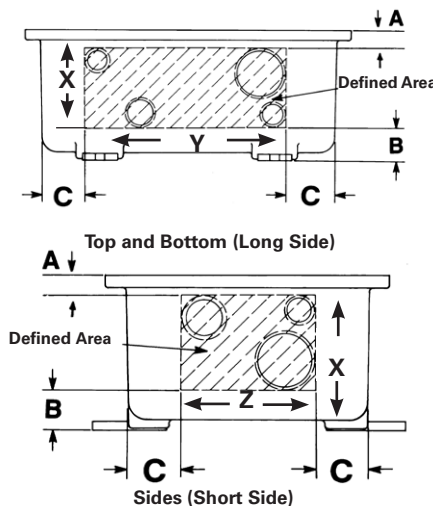
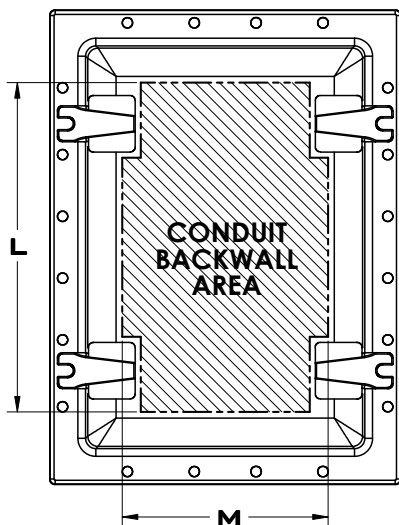
3D models for ECP enclosures are now available online for direct integration into your design software.

crouse-hinds.com/cospec

Defined Area Dimensions - Sidewall and Backwall

The number of entries is limited by the total removed area of the entries. To calculate, add up all individual entry areas and cross-check with the total removed area allowed in the tables below.

Catalog Number	Defined Area - Sidewall						Defined Area - Backwall		Total Removed Area Per Enclosure Allowed Allowable Area to Remove			
	A	B	C	X	Y	Z	L	M	Catalog Number	Long Side, Inch ²	Short Side, Inch ²	Back Inch ²
ECP040604	1.00	1.58	1.19	2.38	4.75	2.75	N/A	N/A	ECP040604	3.87	3.87	N/A
ECP041604	1.00	1.58	1.19	2.41	14.75	2.75	N/A	N/A	ECP041604	15.48	3.87	N/A
ECP060804	1.00	1.54	1.19	2.44	6.75	4.75	N/A	N/A	ECP060804	7.74	3.87	N/A
ECP060806	1.00	1.54	1.44	4.44	6.75	4.75	N/A	N/A	ECP060806	11.22	11.22	N/A
ECP061204	1.00	1.44	1.19	2.44	10.75	4.75	N/A	N/A	ECP061204	11.61	3.87	N/A
ECP080806	1.00	1.53	1.44	4.47	6.75	6.75	N/A	N/A	ECP080806	11.22	11.22	N/A
ECP081006	1.00	1.53	1.44	4.73	8.75	6.75	N/A	N/A	ECP081006	16.95	11.22	N/A
ECP081204	1.00	1.44	1.19	2.61	10.75	6.75	N/A	N/A	ECP081204	11.61	7.74	N/A
ECP081206	1.00	1.53	1.44	4.61	10.75	6.75	N/A	N/A	ECP081206	22.44	11.22	N/A
ECP081208	1.00	1.44	1.44	6.61	10.75	6.75	N/A	N/A	ECP081208	29.04	14.52	N/A
ECP101006	1.13	1.53	1.44	4.49	8.75	8.75	N/A	N/A	ECP101006	16.95	16.95	N/A
ECP101008	1.13	1.44	1.44	6.49	8.75	8.75	N/A	N/A	ECP101008	14.52	14.52	N/A
ECP101406	1.13	1.44	1.44	4.96	12.75	8.75	N/A	N/A	ECP101406	25.43	16.95	N/A
ECP121204	1.13	2.08	1.25	2.10	11.31	11.31	9.85	9.85	ECP121204	9.50	9.50	21.81
ECP121206	1.09	2.00	1.25	4.20	10.88	10.88	9.85	9.85	ECP121206	18.27	18.27	21.81
ECP121208	1.19	2.09	1.25	6.04	10.85	10.85	9.85	9.85	ECP121208	26.21	26.21	21.81
ECP121806	1.11	1.92	1.25	4.05	16.50	10.50	15.85	9.85	ECP121806	26.73	17.01	35.09
ECP121808	1.13	2.15	1.25	5.97	16.85	10.85	15.85	9.85	ECP121808	40.24	25.91	35.09
ECP122408	1.44	2.19	1.38	5.81	23.43	11.43	21.88	9.88	ECP122408	54.45	26.56	48.44
ECP122410	1.44	2.19	1.38	7.81	23.36	11.36	21.88	9.88	ECP122410	72.98	35.49	48.44
ECP123608	1.42	2.42	1.38	5.77	34.97	10.97	33.67	9.88	ECP123608	80.71	25.32	74.55
ECP141406	1.13	2.13	1.25	4.00	12.85	12.85	11.53	11.53	ECP141406	20.56	20.56	51.22
ECP141408	1.13	2.13	1.25	6.00	12.85	12.85	11.53	11.53	ECP141408	30.84	30.84	51.22
ECP141410	1.13	2.13	1.25	8.00	12.85	12.85	11.53	11.53	ECP141410	41.12	41.12	51.22
ECP161606	1.13	1.98	1.25	3.93	15.13	15.13	13.66	13.66	ECP161606	23.78	23.78	46.64
ECP161608	1.19	1.98	1.25	5.87	15.06	15.06	13.66	13.66	ECP161608	35.36	35.36	46.64
ECP162408	1.50	2.75	1.38	5.38	22.81	14.81	21.05	13.05	ECP162408	49.04	31.84	81.15
ECP181806	1.38	2.25	1.38	3.75	16.80	16.80	15.72	15.72	ECP181806	25.20	25.20	83.40
ECP181808	1.38	2.25	1.38	5.75	16.80	16.80	15.72	15.72	ECP181808	38.64	38.64	83.40
ECP181810	1.38	2.25	1.38	7.75	16.80	16.80	15.72	15.72	ECP181810	52.08	52.08	83.40
ECP182408	1.44	2.56	1.38	5.50	22.72	16.72	21.79	15.79	ECP182408	49.98	36.78	82.50
ECP182410	1.44	2.63	1.38	7.43	23.01	17.01	21.79	15.79	ECP182410	68.39	50.55	82.50
ECP183008	1.63	2.88	1.38	5.25	29.05	17.05	27.30	15.30	ECP183008	61.01	35.81	127.89
ECP183608	1.44	2.88	1.38	5.40	35.08	17.08	33.78	15.78	ECP183608	75.77	36.89	127.89
ECP183610	1.44	2.81	1.63	7.76	35.40	17.40	33.78	15.78	ECP183610	109.88	54.01	127.89
ECP242408	1.44	2.72	1.38	5.43	22.73	22.73	20.73	20.73	ECP242408	49.37	49.37	115.80
ECP242410	1.44	2.72	1.38	7.43	22.73	22.73	20.73	20.73	ECP242410	67.55	67.55	115.80
ECP243008	1.75	3.25	1.50	5.13	29.04	23.04	27.03	21.03	ECP243008	59.53	47.23	169.60
ECP243608	1.50	3.38	2.00	5.37	35.05	23.05	33.19	21.19	ECP243608	75.29	49.51	196.75
ECP243610	1.75	3.25	1.50	7.13	35.20	23.20	33.19	21.19	ECP243610	100.32	66.12	203.52



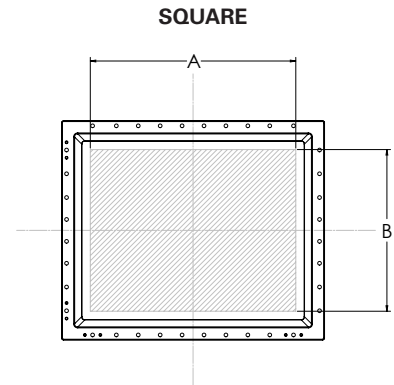
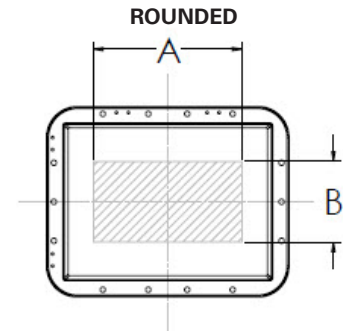
Conduit Size	1 Hole	2 Holes	3 Holes	4 Holes
1/2	0.41	0.81	1.22	1.62
3/4	0.69	1.38	2.07	2.76
1	1.08	2.16	3.24	4.31
1-1/4	1.77	3.53	5.30	7.07
1-1/2	2.41	4.81	7.22	9.62
2	3.87	7.74	11.61	15.48
2-1/2	5.41	10.82	16.24	21.65
3	8.48	16.95	25.43	33.90

Defined Area Dimensions and Removal Rules - Cover

The number of entries is limited by the total removed area of the entries. To calculate, add up all individual entry areas and cross-check with the total removed area allowed in the tables below.

Defined Area - Cover

Catalog Number	Cover Style	Mounting Feet	A	B	Allowable Area to Remove - Cover (in ²)
ECP040604	Rounded	Bolt-on	3.58	0.95	1.43
ECP041604	Rounded	Bolt-on	11.45	0.95	3.57
ECP060804	Rounded	Bolt-on	6.20	3.58	4.28
ECP060806	Rounded	Bolt-on	6.20	3.58	4.28
ECP061204	Rounded	Bolt-on	8.83	3.58	5.71
ECP080806	Rounded	Bolt-on	6.20	6.20	6.42
ECP081006	Rounded	Bolt-on	6.20	6.20	6.42
ECP081204	Rounded	Bolt-on	8.83	6.20	8.56
ECP081206	Rounded	Bolt-on	8.83	6.20	8.56
ECP081208	Rounded	Bolt-on	8.83	6.20	8.56
ECP101006	Rounded	Bolt-on	6.20	6.20	6.42
ECP101008	Rounded	Bolt-on	6.20	6.20	6.42
ECP101406	Rounded	Bolt-on	11.45	6.20	10.70
ECP121204	Square	Tap-in	10.13	10.13	11.42
ECP121206	Square	Tap-in	10.13	10.13	11.42
ECP121208	Square	Tap-in	10.13	10.13	11.42
ECP121806	Square	Tap-in	16.13	10.13	17.12
ECP121808	Square	Tap-in	16.13	10.13	17.12
ECP122408	Square	Tap-in	22.50	10.50	25.69
ECP122410	Square	Tap-in	22.50	10.50	25.69
ECP123608	Square	Tap-in	34.00	10.00	37.10
ECP141406	Square	Tap-in	12.13	12.13	17.84
ECP141408	Square	Tap-in	12.13	12.13	17.84
ECP141410	Square	Tap-in	12.13	12.13	17.84
ECP161606	Square	Tap-in	14.13	14.13	25.69
ECP161608	Square	Tap-in	14.13	14.13	25.69
ECP162408	Square	Tap-in	22.13	14.13	38.53
ECP181806	Square	Tap-in	16.13	16.13	25.69
ECP181808	Square	Tap-in	16.13	16.13	25.69
ECP181810	Square	Tap-in	16.13	16.13	25.69
ECP182408	Square	Tap-in	22.13	16.13	38.53
ECP182410	Square	Tap-in	22.13	16.13	38.53
ECP183008	Square	Tap-in	28.13	16.13	47.09
ECP183608	Square	Tap-in	34.13	16.13	55.65
ECP183610	Square	Tap-in	34.13	16.13	55.65
ECP242408	Square	Tap-in	22.13	22.13	57.79
ECP242410	Square	Tap-in	22.13	22.13	57.79
ECP243008	Square	Tap-in	28.13	22.13	70.64
ECP243608	Square	Tap-in	34.00	22.00	83.48
ECP243610	Square	Tap-in	34.00	22.00	83.48



Surface Area Removed Per Threaded Operator (in²)

Thread Size and Type	Area Removed Per Device
3/4" - 14 NPSM	0.713
3/4" - 20 NEF	0.388
7/8" - 20 NEF	0.539
5/8" - 18 UNF	0.249

Example: A quantity of 22, 3/4" - 14 NPSM devices would utilize 15.686 inches², meaning the ECP1212 would not accommodate this number of operators.

3D Models Available!

3D models for ECP enclosures are now available online for direct integration into your design software.

crouse-hinds.com/cospec

